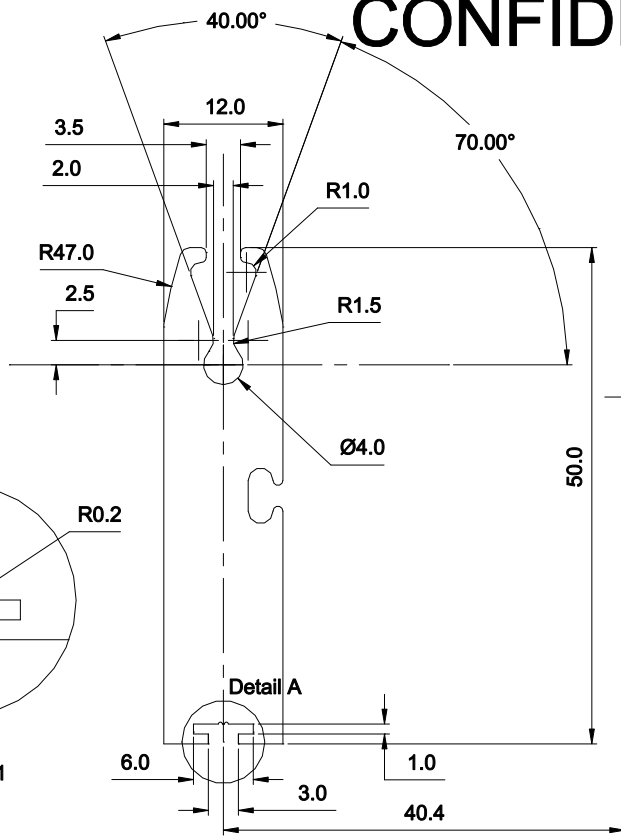
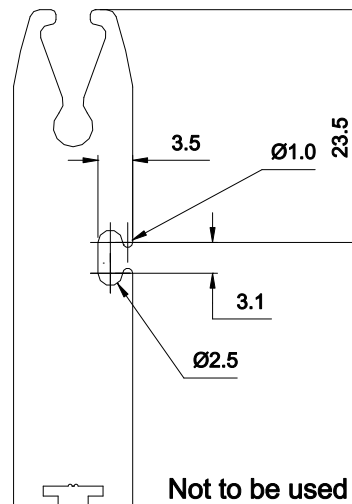


CONFIDENTIAL



Notes:
 1- Material Aluminum 6063-T5
 2- Max Material Length 6096 mm



Not to be used for Production.
For Quotation Purposes Only.
Revision (B)

ECLIPSE TECHNOLOGIES INC.
CONFIDENTIAL AND PROPRIETARY

THIS DOCUMENT CONTAINS ECLIPSE TECHNOLOGIES CONFIDENTIAL INFORMATION, AND IS LOANED TO THE RECEIVER IN CONFIDENCE. THE RECEIVER AGREES THAT, EXCEPT WITH ECLIPSE TECHNOLOGIES' PRIOR WRITTEN PERMISSION, IT WILL NOT USE OR DISCLOSE TO OTHERS THE DOCUMENT OR ANY COPY OR THE INFORMATION THEY CONTAIN.
 1) NOT COPY OR REPRODUCE THE DOCUMENT IN WHOLE, OR PART.
 2) UPON COMPLETION OF THE NEED TO RETAIN THE DOCUMENT, OR UPON DEMAND, RETURN THE DOCUMENT, ALL COPIES AND ALL RELATED MATERIAL.

DO NOT SCALE DRAWING
 DIMENSIONS ARE IN MILLIMETERS
 REMOVE ALL BURRS AND SHARP EDGES
 TOLERANCES: UNLESS OTHERWISE NOTED
 ONE DECIMAL ± .1 FRACTIONAL ±
 TWO DECIMAL ± . TWO
 THREE DECIMAL ± . THREE
 ANGULAR ± .

DRAWING TITLE
Pull Bar- Large Application

REVIECN #	DATE	REVISION DESCRIPTION	BY	CHK
			SS	SS

© 2005 ECLIPSE TECHNOLOGIES INC. ALL RIGHTS RESERVED

DRAWN BY	APPROVED BY	DATE	DRAWING NUMBER	REVISION
SS	SS	26/10/07	ET-119	A